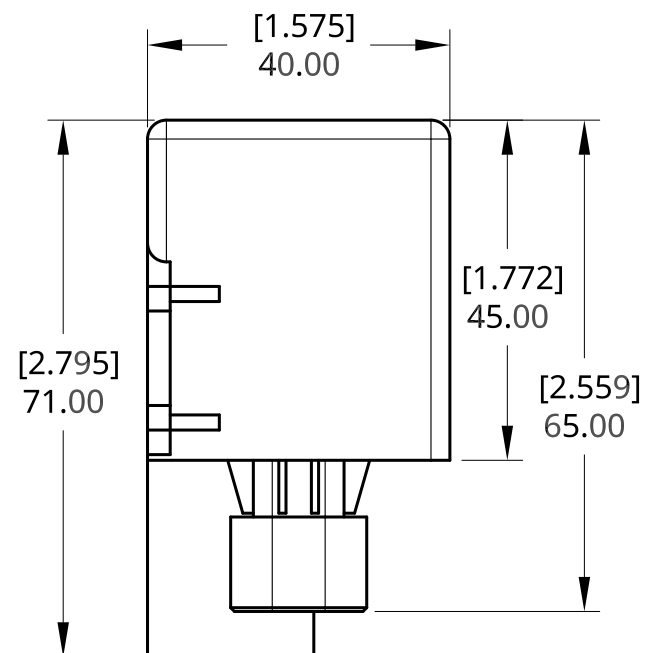
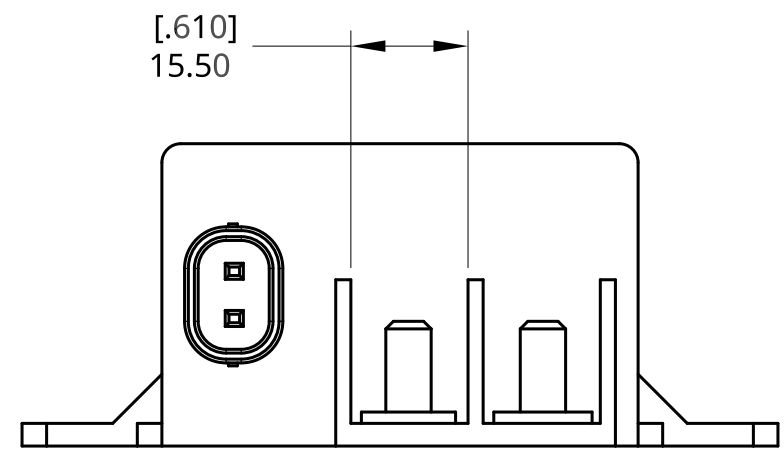
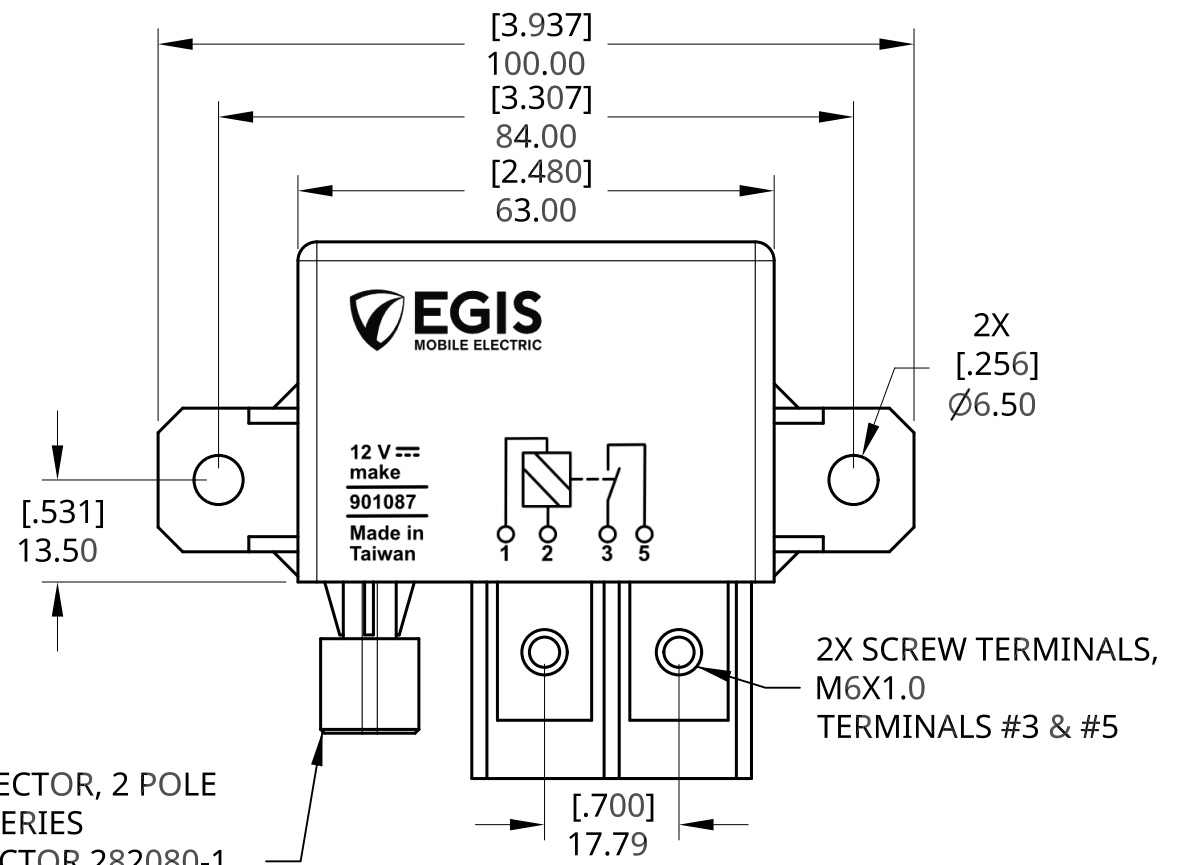


REVISIONS				
ZONE	REV.	DESCRIPTION	DATE	APPROVED



COIL PIN 1 & 2 CONNECTOR, 2 POLE AMP SUPERSEAL 1.5 SERIES
 - RECEPTACLE CONNECTOR 282080-1
 - SINGLE WIRE SEAL 281934-2
 - CONTACT 282110-1



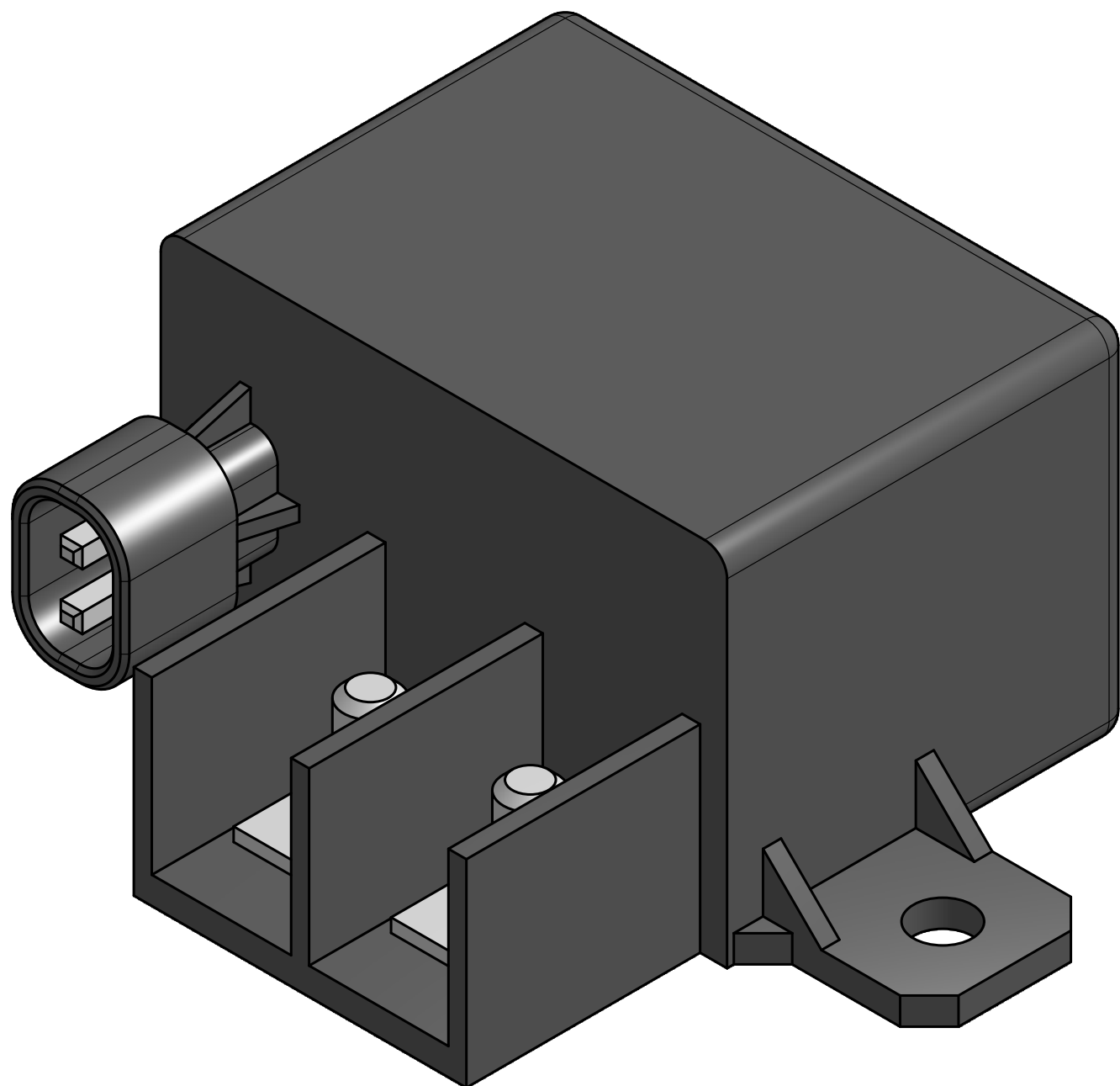
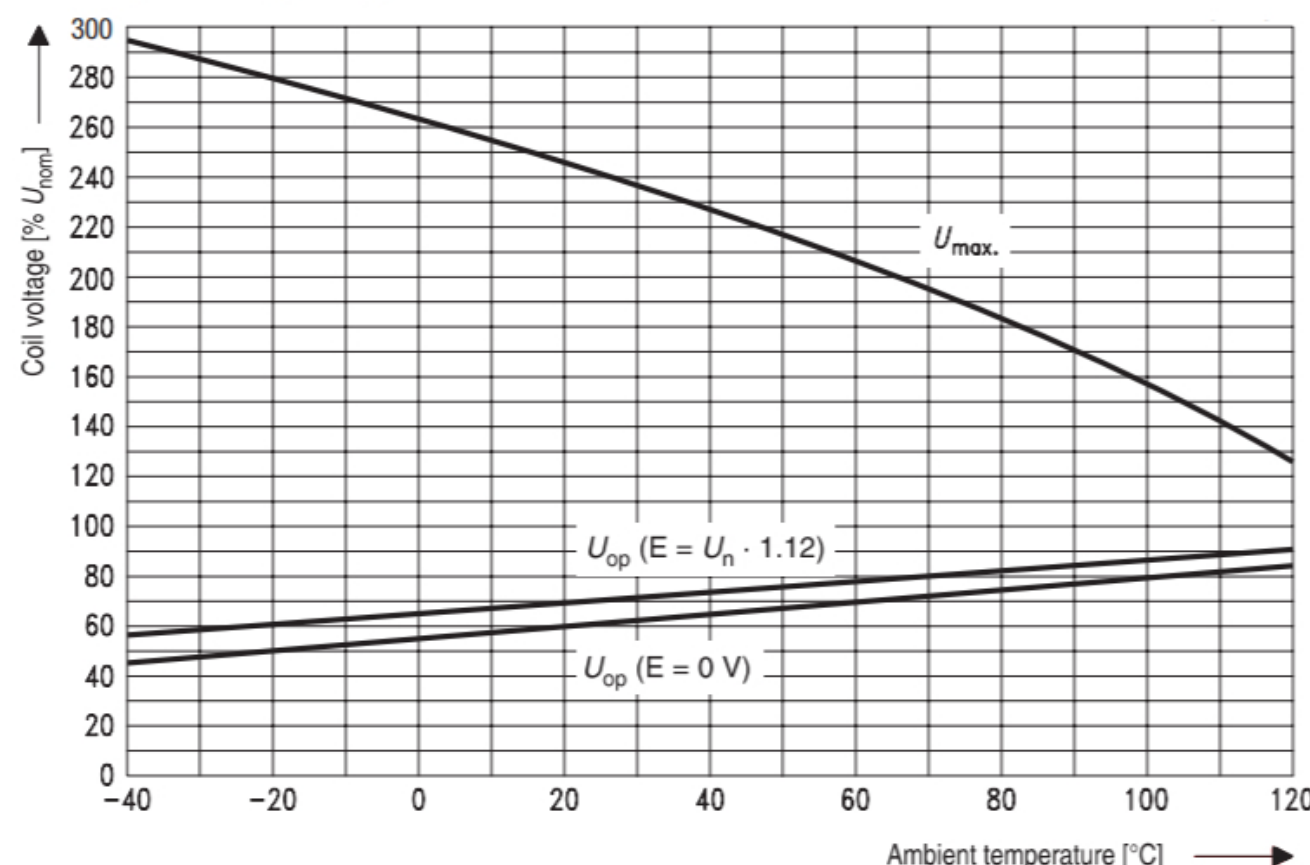
Environmental Specifications

Ingress Protection: IP67
 Ambient temperature: -40°C to +125°C
 Dry heat, IEC 60068-2-2: 500h at 100°C
 Damp heat constant, IEC 60068-2-3 (78), Ca - 500h, 40°C, 93% RH
 Corrosive gas
 - IEC 60068-2-42: 10 days
 - IEC 60068-2-43: 10 days
 Vibration resistance (functional)
 - IEC 60068-2-6 (sine sweep): 10 to 200Hz >5g2
 Shock resistance (functional)
 - IEC 60068-2-27 (half sine): 6ms >20g2
 Drop test, free fall
 - IEC 60068-2-32: 1m onto concrete
 Terminal retention
 pull force: 150N
 push force: 150N
 resistance to bending: 20N
 force applied to side: 20N
 torque: 5Nm
 Weight approx.: 220g (7.8oz)

Contact Specifications

Contact arrangement: 1 Form A / 1 NO
 Rated current, cable 25mm2: 130A at 85°C
 Limiting continuous current
 - 23°C, load cable 16mm2: 130A
 - 85°C, load cable 16mm2: 120A
 - 125°C, load cable 16mm2: 60A
 - 23°C, load cable 25mm2: 180A
 - 85°C, load cable 25mm2: 130A
 - 125°C, load cable 25mm2: 70A
 Limiting making current, load current max. 3s on,
 - make/break ratio(1:10): 300A
 Limiting breaking current: 300A
 Contact material: AgSnO2
 Min. recommended contact load: 1A at 5VDC
 Initial voltage drop, typ. at 100A: 70mV
 Frequency of operation, with/without load: 6 ops./min
 Operate/release time typ. at nominal voltage: 25/8ms
 Electrical endurance
 - resistive load: 50,000 cycles at 300A, 13.5VDC
 Mechanical endurance: >1,000,000 operations
 Rated coil power: 3.3W
 Max. coil temperature: 155°C
 Rated Voltage: 12 Vdc
 Operate Voltage: 7.2 Vdc
 Release Voltage: 1.2 Vdc
 Coil Resistance (+/- 10%): 37 Ohms
 Rated Coil Power: 3.9 Watts

Coil operating range



UNLESS OTHERWISE SPECIFIED, DIMENSIONS ARE IN MILLIMETERS .XX = ±.13 ANGULAR = ± ° .XXX = ±.050 FRACTIONAL = ±	NAME	DATE
	DRAWN	B Glad 01/19/2019
	CHECKED	
SURFACE FINISH ✓	APPROVED	
DO NOT SCALE DRAWING		
BREAK ALL SHARP EDGES AND REMOVE BURRS		
THIRD ANGLE PROJECTION	THIS DRAWING AND THE INFORMATION CONTAINED WITHIN IT ARE CONFIDENTIAL AND MAY NOT BE COPIED OR DISCLOSED WITHOUT THE WRITTEN PERMISSION OF EGIS MOBILE ELECTRIC.	

		Egis Mobile Electric 3135 Mercer Ave, Ste 102 Bellingham, WA 98225, USA	
TITLE: 901087 - HIGH AMP RELAY 150 AMP / 12 Vdc			
SIZE: C	DWG NO.	REV.	
SCALE: NTS	WEIGHT	SHEET: 1 of 1	